

SB-I/O



7 8300810543 3

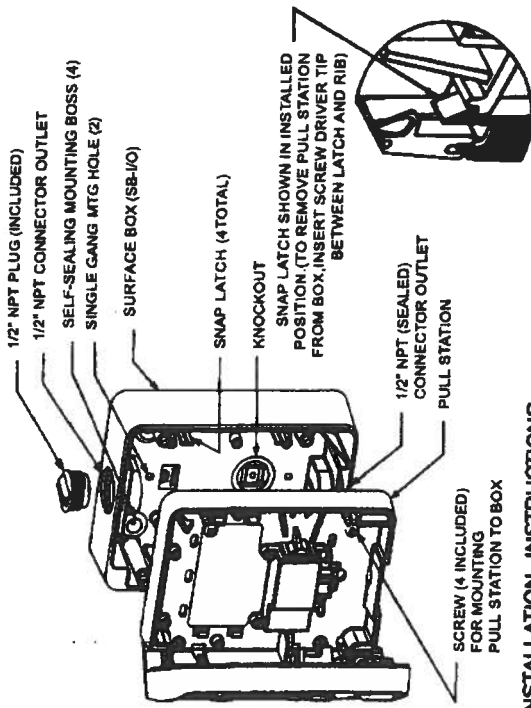
REV: A3 B10543

SB-I/O Surface mount back box is compatible with the following series pull stations:

- BG-12
- NBG-12
- JBG-12
- PS-DA, SA
- MS-7
- S464
- XLS-BG-12L
- SON-BG12L
- UT-PS2
- M46
- MS95

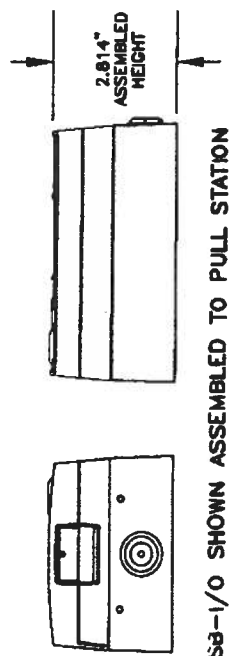
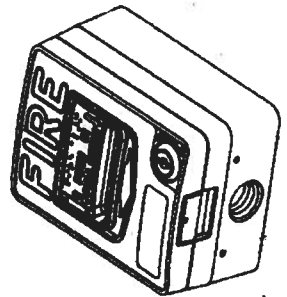


Designed in the USA
 Made in China
 Fabriqué en Chine

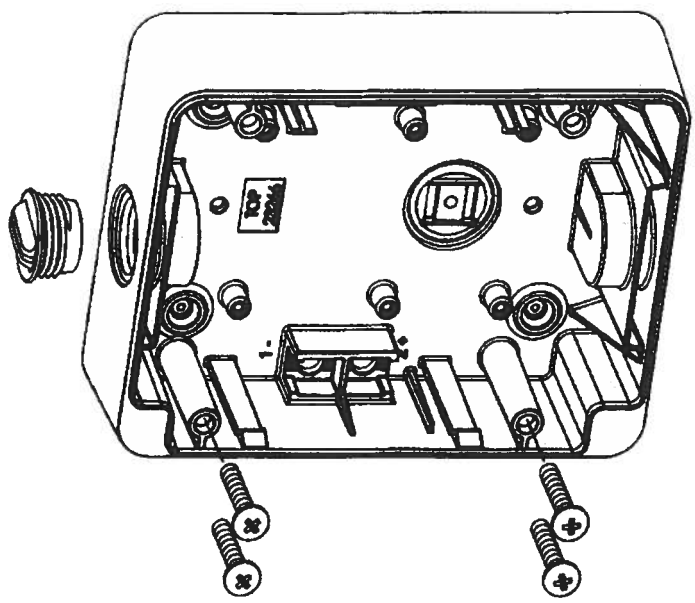


INSTALLATION INSTRUCTIONS:

The SB-I/O surface box is U.L. listed for indoor and outdoor use and designed to be assembled with the compatible pull stations listed on the side panel. All mounting holes and the bottom conduit entry point are molded with a thin wall of material to provide outdoor weatherability. Mount the box vertically on a wall or flat surface (note the word "TOP" for correct orientation). Knockout holes are provided to mount the box to a single gang electrical box if necessary. If the back knockout or bottom threaded hole are to be used, install the supplied plug in the top hole (thread tape recommended for outdoor applications) and remove the other knockout(s) as required. Mount the box by threading screws through the thin layer of plastic in the four mounting bosses. Wire the pull station in accordance with instructions provided with device. Snap pull station to back box, then secure station with four screws provided as shown above.



SB-I/O SHOWN ASSEMBLED TO PULL STATION
 (PULL STATION SOLD SEPARATELY)



SB-I/O SURFACE BOX FEATURES:

- DRAIN HOLES (KNOCKOUT)
- MOLDED SELF-SEALING MTG BOSSES
- SNAP LATCHES FOR EASY INSTALLATION
- 2 REINFORCED 1/2" NPT CONNECTOR OUTLETS
- MATERIAL: POLYCARBONATE, 94V-0, COLOR RED
- SINGLE GANG ELECTRICAL BOX MTG HOLES (KNOCKOUT)
- 1/2" NPT PLUG INCLUDED
- (QTY 4) #10 X 1.00" LG MOUNTING SCREWS INCLUDED

SB-I/O

INDOOR / OUTDOOR SURFACE BOX

ACCEPTS 1/2" NPT CONDUIT FITTINGS